



Back Pressure Sensing for Double-Acting Cylinder



Size: 6.00" x 3.25" x 3.75"

Temperature: 32 to 140°F

Pressure Range: 40 to 150 psig

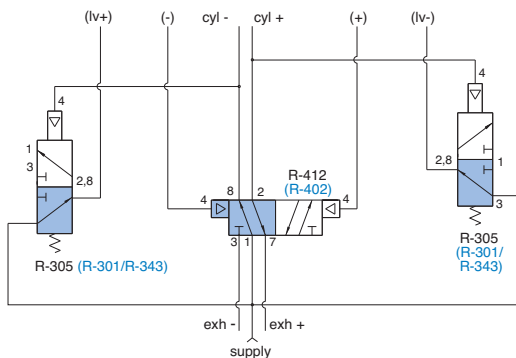
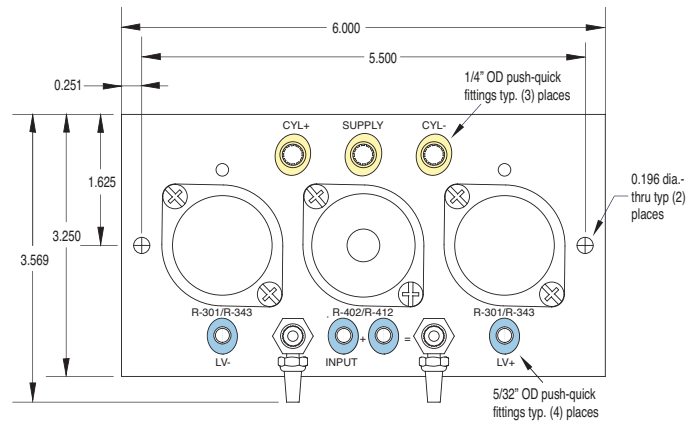
Use: The VA-031 module is very versatile for controlling a double-acting cylinder without limits. The circuit uses back pressure to send a signal when the cylinder finishes moving. This module is ideal for integrating into a larger circuit with electronic valves or all pneumatic components.

Operation: This circuit enables a double-acting cylinder to give an output-on-output - (LV-) when the cylinder is finished retracting and an output-on-output + (LV+) when cylinder is finished extending. Using these outputs allows you to loop them back to the module's inputs, and create an auto-cycling circuit using back pressure, opposed to a timing signal such as the VA-06 module. You can also use the output to go to a manual button, pneumatic delay valve, electronic valve and PLC, or pneumatic sequencer (such as a R-932 circuit) and allow those options to signal back to the module to begin the next cycle. Call Clippard for assistance to fit the right pneumatic module into your application.

Part No.	Description	
<u>VA-031</u>	Back Pressure Sensing for Double-Acting Cylinder	
Bill of Materials in Assembly		
Qty.	Part No.	Description
2	R-305	3-Way Modular Low Pressure Pilot Valve
1	R-412	4-Way Modular Reset Valve
2	MNV-1KP	Miniature Needle Valve
2	15070	Noise Muffler
1	CM-031-PQ	Circuit Manifold
10'	URT1-0805-GNT	1/4" O.D. Polyurethane Tubing, Green
5'	URT1-0503-CLR	5/32" O.D. Polyurethane Tubing, Clear

All components are also available for individual purchase

The CM-031 subplate is available with 1/8" NPT and #10-32 threads



Note: See Pages 249, 255 and 258 for alternative valve(s) (in parenthesis above).

